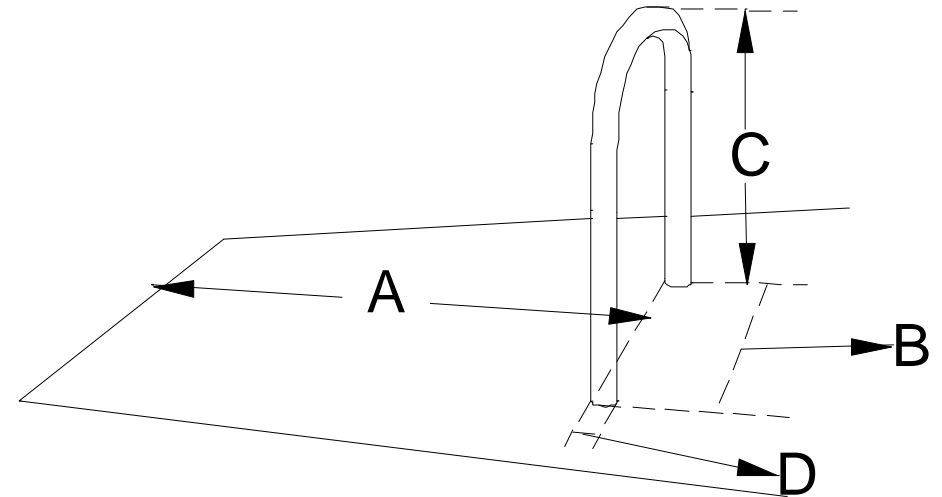


ALL MEASUREMENTS MUST BE TAKEN IN MILLIMETRES

1	OVERALL LENGTH	
2	BACK OF MAST TO TRANSOM	
3	FRONT OF MAST TO BOW	
4	BOW TO FORESTAY	
5	AMOUNT OF FORESTAY TRAVEL	
6	HALF WIDTH AT BOW	
7	HALF WIDTH AT TRANSOM	
8	TRANSOM TO SHROUD	
9	DISTANCE OF SHROUD FROM OUTSIDE OF HULL	
10		
11	↑	
12		
13		
14		
15		
16		
17	HALF WIDTHS OF BOAT AT 400mm	
18	INTERVALS FROM BOW	
19		
20		
21		
22		
23	↓	
24		
25	TRANSOM TO TOP OF GOOSENECK	
26	BOW TO TOP OF GOOSENECK WITH BOOM UP	
27	BOW TO FORESTAY ALONG LINE AS TAKEN IN 26	
28	HEIGHT OF TOP OF BOOM ABOVE SHEERLINE	



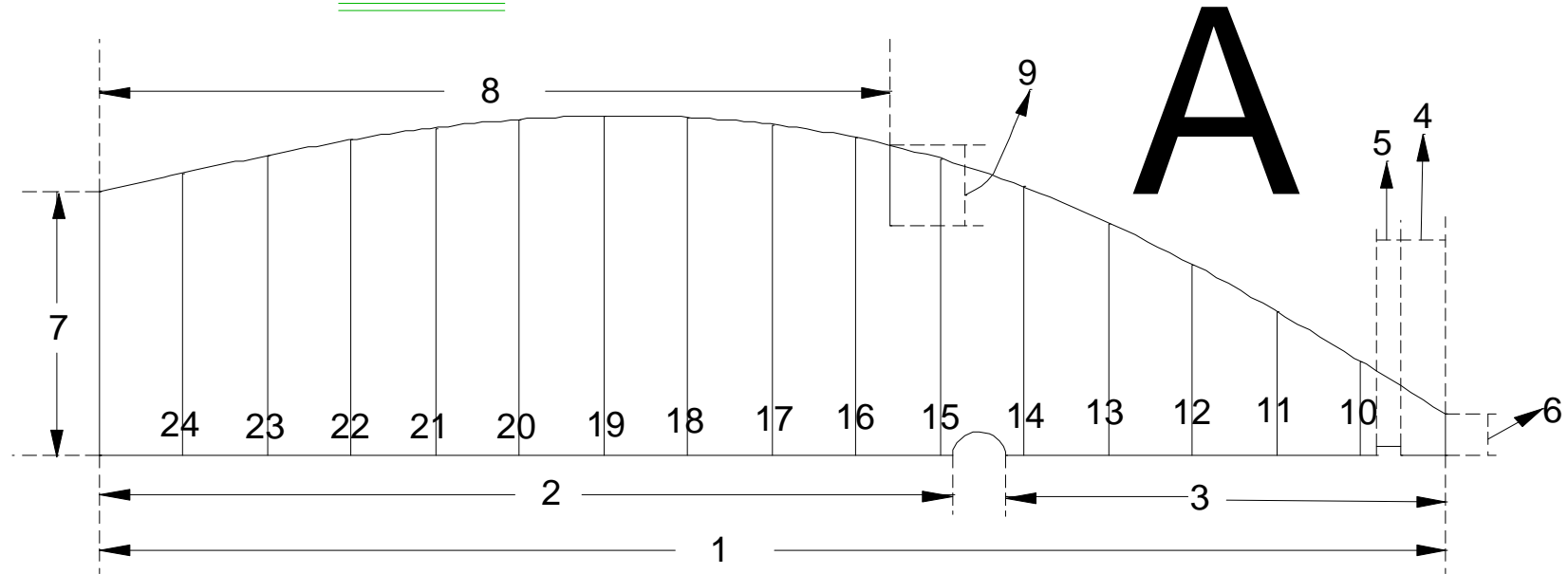
A = TRANSOM TO HOOP	
B = WIDTH OF HOOP	
C = HEIGHT OF HOOP	
D = THICKNESS OF TUBE	

Banks Sails Ltd. Telephone 01489 582444
Web Site www.banks.co.uk

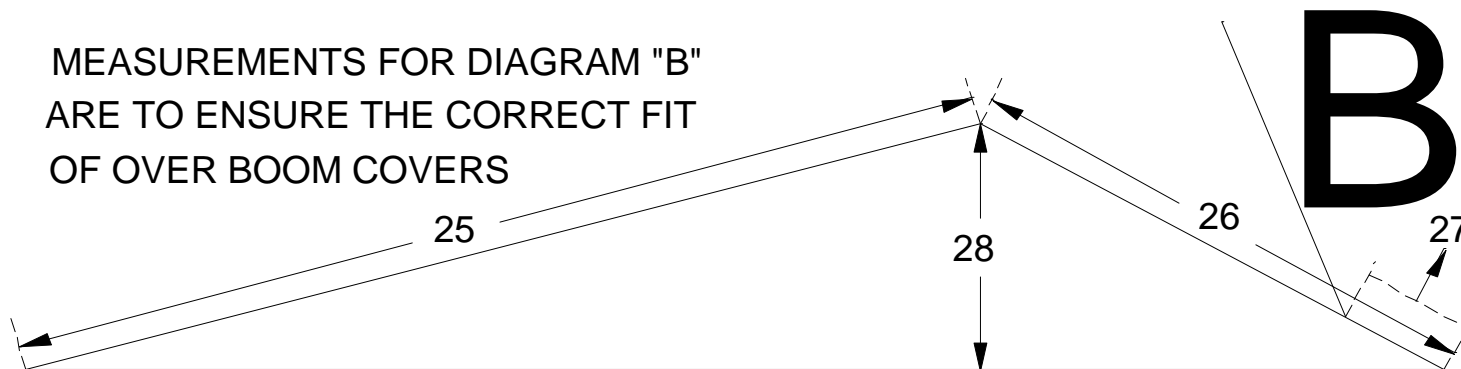
Banks Sails Dinghy Cover Measurement Form

MEASUREMENTS FOR DIAGRAM "A" MUST BE TAKEN FLAT ACROSS THE BOAT AT DECK LEVEL

FIGURES 10 TO 24 MUST BE TAKEN AT 400mm INTERVALS FROM THE BOW



MEASUREMENTS FOR DIAGRAM "B"
ARE TO ENSURE THE CORRECT FIT
OF OVER BOOM COVERS



Banks Sails Ltd. Telephone 01489 582444
Web Site. www.banks.co.uk